

TR-157 Amendment 3

Component Objects for CWMP

Issue: 1
Issue Date: November 2010

Notice

The Broadband Forum is a non-profit corporation organized to create guidelines for broadband network system development and deployment. This Broadband Forum Technical Report has been approved by members of the Forum. This Broadband Forum Technical Report is not binding on the Broadband Forum, any of its members, or any developer or service provider. This Broadband Forum Technical Report is subject to change, but only with approval of members of the Forum. This Technical Report is copyrighted by the Broadband Forum, and all rights are reserved. Portions of this Technical Report may be copyrighted by Broadband Forum members.

This Broadband Forum Technical Report is provided AS IS, WITH ALL FAULTS. ANY PERSON HOLDING A COPYRIGHT IN THIS BROADBAND FORUM TECHNICAL REPORT, OR ANY PORTION THEREOF, DISCLAIMS TO THE FULLEST EXTENT PERMITTED BY LAW ANY REPRESENTATION OR WARRANTY, EXPRESS OR IMPLIED, INCLUDING, BUT NOT LIMITED TO, ANY WARRANTY:

- (A) OF ACCURACY, COMPLETENESS, MERCHANTABILITY, FITNESS FOR A PARTICULAR PURPOSE, NON-INFRINGEMENT, OR TITLE;
- (B) THAT THE CONTENTS OF THIS BROADBAND FORUM TECHNICAL REPORT ARE SUITABLE FOR ANY PURPOSE, EVEN IF THAT PURPOSE IS KNOWN TO THE COPYRIGHT HOLDER;
- (C) THAT THE IMPLEMENTATION OF THE CONTENTS OF THE TECHNICAL REPORT WILL NOT INFRINGE ANY THIRD PARTY PATENTS, COPYRIGHTS, TRADEMARKS OR OTHER RIGHTS.

By using this Broadband Forum Technical Report, users acknowledge that implementation may require licenses to patents. The Broadband Forum encourages but does not require its members to identify such patents. For a list of declarations made by Broadband Forum member companies, please see <http://www.broadband-forum.org>. No assurance is given that licenses to patents necessary to implement this Technical Report will be available for license at all or on reasonable and non-discriminatory terms.

ANY PERSON HOLDING A COPYRIGHT IN THIS BROADBAND FORUM TECHNICAL REPORT, OR ANY PORTION THEREOF, DISCLAIMS TO THE FULLEST EXTENT PERMITTED BY LAW (A) ANY LIABILITY (INCLUDING DIRECT, INDIRECT, SPECIAL, OR CONSEQUENTIAL DAMAGES UNDER ANY LEGAL THEORY) ARISING FROM OR RELATED TO THE USE OF OR RELIANCE UPON THIS TECHNICAL REPORT; AND (B) ANY OBLIGATION TO UPDATE OR CORRECT THIS TECHNICAL REPORT.

Broadband Forum Technical Reports may be copied, downloaded, stored on a server or otherwise re-distributed in their entirety only, and may not be modified without the advance written permission of the Broadband Forum.

The text of this notice must be included in all copies of this Broadband Forum Technical Report.

TR Issue History

Issue Number	Issue Date	Issue Editor	Changes
Issue 1	March 2009	John Blackford, 2Wire, Inc. TimSpets, Westell	Original
Issue 1 Amendment 1	September 2009	John Blackford, 2Wire, Inc.	Addition of SupportedDataModel component.
Issue 1 Amendment 2	May 2010	John Blackford, 2Wire, Inc.	Support for TR-181 Issue 2.
Issue 1 Amendment 3	November 2010	John Blackford, Pace Heather Kirksey, Alcatel-Lucent	Support for Software Module Management

Comments or questions about this Broadband Forum Technical Report should be directed to info@broadband-forum.org.

Editors	John Blackford	Pace
	Heather Kirksey	Alcatel-Lucent
BroadbandHome™ Working Group Chairs	Greg Bathrick	PMC-Sierra
	Heather Kirksey	Alcatel-Lucent
Vice Chair	Jason Walls	UNH

Table of Contents

1	PURPOSE AND SCOPE	7
1.1	PURPOSE	7
1.2	SCOPE	7
2	REFERENCES AND TERMINOLOGY	8
2.1	CONVENTIONS	8
2.2	REFERENCES	9
2.3	DEFINITIONS	10
2.4	ABBREVIATIONS	11
3	TECHNICAL REPORT IMPACT	12
3.1	ENERGY EFFICIENCY.....	12
3.2	IPv6.....	12
3.3	SECURITY.....	12
4	DEVICE:1 PARAMETER DEFINITIONS	13
5	INTERNETGATEWAYDEVICE:1 PARAMETER DEFINITIONS	15
APPENDIX I.	USB HOST THEORY OF OPERATION	17
I.1	OVERVIEW.....	17
APPENDIX II.	SOFTWARE MODULE MANAGEMENT	19
II.1	OVERVIEW	19
II.2	LIFECYCLE MANAGEMENT.....	19
II.3	SOFTWARE MODULES	20
II.4	EXECUTION ENVIRONMENT CONCEPTS	29
II.5	FAULT MODEL	31

List of Tables

Table 1 – Device:1 Data Model Versions	13
Table 2 – InternetGatewayDevice:1 Data Model Versions	15

List of Figures

Figure 1 - Example USB Host Connections	17
Figure 2 – Deployment Unit State Diagram	21
Figure 3 – Execution Unit State Diagram	25
Figure 4 – Installation of a Deployment Unit - CWMP Session #1	28
Figure 5 – Configuring and Starting the Execution Units - CWMP Session #2.....	29
Figure 6 – Possible Multi-Execution Environment Implementation	30

Executive Summary

The architecture of TR-069 Amendment 2 [1] and TR-106 Amendment 3 [2] enables device management of CPE devices in the customer's home, including the home gateway, and devices behind it.

This Technical Report defines additional management objects for use in CWMP managed devices. The objects may exist at the top level of a hierarchy, or in some cases within an existing object. The objects are intended for use in all CWMP root objects (both Device and InternetGatewayDevice). The objects define varying functionality, diagnostics, etc., that are agnostic to the type of device.

The additional management objects defined in this Technical Report include the following:

Enhanced device diagnostic and monitoring capabilities - These enhanced features include the ability to monitor device memory and process status as well as reporting of temperature sensor status and alarms. Two diagnostic tests have also been added: Namespace Lookup and hardware-specific self-test.

Autonomous Transfer and Multi-cast Download Policy Configuration - This specification completes the additions to CWMP undertaken in collaboration with DVB to ensure TR-069's ability to meet the needs of IP video environments. In [1] capabilities for multi-cast download and autonomous transfers were added to the CWMP protocol; in this Technical Report, objects have been added for managing the policies around autonomous transfer reporting and configuring the multicast download availability.

Simple Firewall - Simple firewall management has been defined in this specification.

USB Hosts - This specification contains objects that enable the remote management of USB Hosts and policies for the behavior of attached USB devices.

UPnP and DLNA discovery - UPnP is a widely deployed home networking technology; DLNA digital home servers and digital home players use UPnP technology to provide content streaming and sharing across devices in the home. Objects defined in this specification enable the reporting of UPnP and DLNA devices and capabilities in the home network in order to give service providers increased visibility into the subscriber home.

Periodic Stats - The periodic stats object allows for the collection and reporting of performance monitoring data for TR-069 enabled devices.

Supported Data Model – This table lists all of the Device Type (as defined in TR-106 Amendment 3 [2]) instances that make up the device's entire supported data model and thus allows an ACS to easily discover the device's supported data model.

Software Module Management – These objects enable the management of software modules on a device in order to allow service providers to deploy dynamic applications and services. The capabilities include configuring and managing Execution Environments, Deployment Units, and Execution Units.

1 Purpose and Scope

1.1 Purpose

The purpose of TR-157 Amendment 3 is to provide Component Objects for CWMP.

A Component Object is defined as an object and their contained parameters intended for use in any applicable CWMP root data model (both Device and InternetGatewayDevice). The object(s) may reside at the top level or an appropriate sub-object level.

1.2 Scope

TR-157 Amendment 3 defines Component Objects for use in CWMP managed devices for all root data models. The current root data models are InternetGatewayDevice:1 defined in TR-098 Amendment 2 [5], Device:1 defined in TR-181 [3], and Device:2 defined in TR-181 Issue 2 [4].

Sections containing “Theory of Operations” for Component Objects are located in the appendices.

2 References and Terminology

2.1 Conventions

In this Technical Report several words are used to signify the requirements of the specification. These words are often capitalized.

- MUST** This word, or the adjective “REQUIRED”, means that the definition is an absolute requirement of the specification.
- MUST NOT** This phrase means that the definition is an absolute prohibition of the specification.
- SHOULD** This word, or the adjective “RECOMMENDED”, means that there could exist valid reasons in particular circumstances to ignore this item, but the full implications need to be understood and carefully weighted before choosing a different course.
- MAY** This word, or the adjective “OPTIONAL”, means that this item is one of an allowed set of alternatives. An implementation that does not include this option **MUST** be prepared to inter-operate with another implementation that does include the option.

2.2 References

The following references constitute provisions of this Technical Report. At the time of publication, the editions indicated were valid. All references are subject to revision; users of this Technical Report are therefore encouraged to investigate the possibility of applying the most recent edition of the references listed below. A list of currently valid Broadband Forum Technical Reports is published at www.broadband-forum.org.

- [1] TR-069 Amendment 3, *CPE WAN Management Protocol*, Broadband Forum Technical Report, 2010
- [2] TR-106 Amendment 4, *Data Model Template for TR-069-Enabled Devices*, Broadband Forum Technical Report, 2010
- [3] TR-181, *Device Data Model for TR-069*, Broadband Forum Technical Report, 2010
- [4] TR-181 Issue 2, *Device Data Model for TR-069*, Broadband Forum Technical Report, 2010
- [5] TR-098 Amendment 2, *Internet Gateway Device Data Model for TR-069*, Broadband Forum Technical Report, 2008
- [6] TR-104, *Provisioning Parameters for VoIP CPE*, Broadband Forum Technical Report, 2005
- [7] RFC 4122, *A Universally Unique IDentifier (UUID) URN Namespace*, IETF, July 2005, <http://www.ietf.org/rfc/rfc4122.txt>

2.3 Definitions

The following terminology is used throughout this Technical Report:

ACS	Auto-Configuration Server. This is a component in the broadband network responsible for auto-configuration of the CPE for advanced services.
Action	An explicitly triggered transition in the software module state model (see Appendix II); e.g. Install, Update, Uninstall, Start, Stop, etc.
CPE	Customer Premises Equipment; refers to any TR-069-enabled device and therefore covers both Internet Gateway devices and LAN-side end devices.
CWMP	CPE WAN Management Protocol. Defined in TR-069 Amendment 3 [1], CWMP is a communication protocol between an ACS and CPE that defines a mechanism for secure auto-configuration of a CPE and other CPE management functions in a common framework.
Deployment Unit	An entity that can be individually deployed on the Execution Environment. A Deployment Unit can consist of functional Execution Units and/or configuration files and/or other resources
Execution Environment	A software platform that enables the dynamic loading and unloading of software modules. Some Execution Environments enable the sharing of resources amongst modules. Typical examples include Linux, OSGi, .NET, and Java ME. There will likely be one primary Execution Environment on each device, and other “layered” Execution Environments may also be exposed (e.g. OSGi on top of Linux).
Execution Unit	A functional entity that, once started, initiates processes to perform tasks or provide services, until it is stopped. Execution Units are deployed by Deployment Units. The following list of concepts could be considered an Execution Unit: services, scripts, software components, libraries, etc.
Software Module	The common term for all software (other than firmware) that will be installed on an Execution Environment, including the concepts of Deployment Units and Execution Units.

2.4 Abbreviations

This Technical Report defines the following abbreviations:

CPE	Customer Premise Equipment
CPU	Central Processing Unit
DDD	Device Description Document
DLNA	Digital Living Network Alliance
DNS	Domain Name System
DU	Deployment Unit
EE	Execution Environment
EU	Execution Unit
GUI	Graphical User Interface
HTTP	Hypertext Transfer Protocol
HTTPS	Hypertext Transfer Protocol over Secure Socket Layer
IGD	Internet Gateway Device
LAN	Local Area Network
NAT	Network Address Translation
QoS	Quality of Service
RAM	Random Access Memory
SSDP	Simple Service Discovery Protocol
TCP	Transmission Control Protocol
TR	Technical Report
URL	Universal Resource Locator
USB	Universal Serial Bus
USB-IF	USB Implementer's Forum
USN	Unique Service Name
UTC	Coordinated Universal Time
UUID	Universally Unique Identifier
WAN	Wide Area Network
WG	Working Group
XML	Extensible Markup Language

3 Technical Report Impact

3.1 Energy Efficiency

TR-157 Amendment 3 has no impact on energy efficiency.

3.2 IPv6

TR-157 Amendment 3 has no impact on IPv6 support and compatibility.

3.3 Security

There are no relevant security issues relating to TR-157 Amendment 3.

4 Device:1 Parameter Definitions

The normative definition of the Device:1 data model is split between several DM Instance documents (see TR-106 [2] Annex A). Table 1 lists the data model versions and DM Instances that had been defined at the time of writing. It also indicates the corresponding Technical Reports and gives links to the associated XML and HTML files.

Note that, because new minor versions of the Device:1 data model can be defined without re-publishing this Technical Report, the table is not necessarily up-to-date. An up-to-date version of the table can always be found at <http://www.broadband-forum.org/cwmp>.

Table 1 – Device:1 Data Model Versions

Version	DM Instance	Technical Report	XML and HTML ¹
1.0	tr-106-1-0.xml	TR-106	http://broadband-forum.org/cwmp/tr-106-1-0.xml
			http://broadband-forum.org/cwmp/tr-106-1-0.html
1.1	tr-106-1-1.xml	TR-106 Amendment 1	http://broadband-forum.org/cwmp/tr-106-1-1.xml
			http://broadband-forum.org/cwmp/tr-106-1-1.html
			http://broadband-forum.org/cwmp/tr-106-1-1-last.html
1.2	tr-143-1-0.xml	TR-143	http://broadband-forum.org/cwmp/tr-143-1-0.xml
			http://broadband-forum.org/cwmp/tr-143-1-0-dev.html
			http://broadband-forum.org/cwmp/tr-143-1-0-dev-last.html
	tr-106-1-2.xml	TR-106 Amendment 2	http://broadband-forum.org/cwmp/tr-106-1-2.xml
			http://broadband-forum.org/cwmp/tr-106-1-2.html
http://broadband-forum.org/cwmp/tr-106-1-2-last.html			
1.3	tr-157-1-0.xml	TR-157	http://broadband-forum.org/cwmp/tr-157-1-0.xml
			http://broadband-forum.org/cwmp/tr-157-1-0-dev.html
			http://broadband-forum.org/cwmp/tr-157-1-0-dev-last.html
1.4	tr-157-1-1.xml	TR-157 Amendment 1	http://broadband-forum.org/cwmp/tr-157-1-1.xml
			http://broadband-forum.org/cwmp/tr-157-1-1-dev.html
			http://broadband-forum.org/cwmp/tr-157-1-1-dev-last.html
1.5	tr-181-1-0.xml	TR-181 Issue 1	http://broadband-forum.org/cwmp/tr-181-1-0.xml
			http://broadband-forum.org/cwmp/tr-181-1-0.html
			http://broadband-forum.org/cwmp/tr-181-1-0-last.html
1.6	tr-157-1-2.xml	TR-157 Amendment 2	http://broadband-forum.org/cwmp/tr-157-1-2.xml
			http://broadband-forum.org/cwmp/tr-157-1-2-dev.html
			http://broadband-forum.org/cwmp/tr-157-1-2-dev-last.html

¹ The HTML with a name of the form tr-xxx-i-a.html, e.g. tr-181-1-0.html, lists the entire data model. The HTML with a name of the form tr-xxx-i-a-dev.html, e.g. tr-157-1-0-dev.html, lists only the Device Root Object (not the InternetGatewayDevice Root Object). The HTML with a name of the form tr-xxx-i-a-last.html, e.g. tr-181-1-0-last.html, lists only the changes since the previous version. “dev” and “last” can be combined, e.g. tr-157-1-0-dev-last.html.

Version	DM Instance	Technical Report	XML and HTML ¹
1.7	tr-157-1-3.xml	TR-157 Amendment 3	http://broadband-forum.org/cwmp/tr-157-1-3.xml
			http://broadband-forum.org/cwmp/tr-157-1-3-dev.html
			http://broadband-forum.org/cwmp/tr-157-1-3-dev-last.html

5 InternetGatewayDevice:1 Parameter Definitions

The normative definition of the InternetGatewayDevice:1 data model is split between several DM Instance documents (see TR-106 [2] Annex A). Table 2 lists the data model versions and DM Instances that had been defined at the time of writing. It also indicates the corresponding Technical Reports and gives links to the associated XML and HTML files.

Note that, because new minor versions of the InternetGatewayDevice:1 data model can be defined without re-publishing this Technical Report, the table is not necessarily up-to-date. An up-to-date version of the table can always be found at <http://www.broadband-forum.org/cwmp>.

Table 2 – InternetGatewayDevice:1 Data Model Versions

Version	DM Instance	Technical Report	XML and HTML ²
1.0	tr-069-1-0.xml	TR-069	http://broadband-forum.org/cwmp/tr-069-1-0.xml
			http://broadband-forum.org/cwmp/tr-069-1-0.html
1.1	tr-098-1-0.xml	TR-098	http://broadband-forum.org/cwmp/tr-106-1-1.xml
			http://broadband-forum.org/cwmp/tr-106-1-1.html
			http://broadband-forum.org/cwmp/tr-106-1-1-last.html
1.2	tr-098-1-1.xml	TR-098 Amendment 1	http://broadband-forum.org/cwmp/tr-098-1-1.xml
			http://broadband-forum.org/cwmp/tr-098-1-1.html
			http://broadband-forum.org/cwmp/tr-098-1-1-last.html
1.3	tr-143-1-0.xml	TR-143	http://broadband-forum.org/cwmp/tr-143-1-0.xml
			http://broadband-forum.org/cwmp/tr-143-1-0-igd.html
			http://broadband-forum.org/cwmp/tr-143-1-0-igd-last.html
1.4	tr-098-1-2.xml	TR-098 Amendment 2	http://broadband-forum.org/cwmp/tr-098-1-2.xml
			http://broadband-forum.org/cwmp/tr-098-1-2.html
			http://broadband-forum.org/cwmp/tr-098-1-2-last.html
1.5	tr-157-1-0.xml	TR-157	http://broadband-forum.org/cwmp/tr-157-1-0.xml
			http://broadband-forum.org/cwmp/tr-157-1-0-igd.html
			http://broadband-forum.org/cwmp/tr-157-1-0-igd-last.html
1.6	tr-157-1-1.xml	TR-157 Amendment 1	http://broadband-forum.org/cwmp/tr-157-1-1.xml
			http://broadband-forum.org/cwmp/tr-157-1-1-igd.html
			http://broadband-forum.org/cwmp/tr-157-1-1-igd-last.html
1.7	tr-157-1-2.xml	TR-157 Amendment 2	http://broadband-forum.org/cwmp/tr-157-1-2.xml
			http://broadband-forum.org/cwmp/tr-157-1-2-igd.html
			http://broadband-forum.org/cwmp/tr-157-1-2-igd-last.html

² The HTML with a name of the form tr-xxx-i-a.html, e.g. tr-181-1-0.html, lists the entire data model. The HTML with a name of the form tr-xxx-i-a-igd.html, e.g. tr-157-1-0-igd.html, lists only the InternetGatewayDevice Root Object (not the Device Root Object). The HTML with a name of the form tr-xxx-i-a-last.html, e.g. tr-181-1-0-last.html, lists only the changes since the previous version. “igd” and “last” can be combined, e.g. tr-157-1-0-igd-last.html.

Version	DM Instance	Technical Report	XML and HTML ²
1.8	tr-157-1-3.xml	TR-157 Amendment 3	http://broadband-forum.org/cwmp/tr-157-1-3.xml
			http://broadband-forum.org/cwmp/tr-157-1-3-igd.html
			http://broadband-forum.org/cwmp/tr-157-1-3-igd-last.html

Appendix I. USB Host Theory of Operation

I.1 Overview

An increasing number of devices are equipped with a USB Host controller and USB host interface(s) / connector(s) (series A receptacle).

There are a number of use cases for adding a USB Host and connected devices to a CWMP data model. One example is retrieving the exact product identity of the connected device in the event of service issues such as printer or file sharing problems. Another example is notifying the user that a newly-connected device is not supported, e.g. due to a missing driver. Or the detection of the connection of a particular USB device could mean additional services for this device could be offered to the subscriber.

The data model contains the number of devices connected to each host controller. For each device, the main properties of the USB device descriptors as well as interface descriptors are represented. The latter is to support devices that only indicate class/subclass (and therefore device type) at the interface level.

Example USB topology of connected devices:

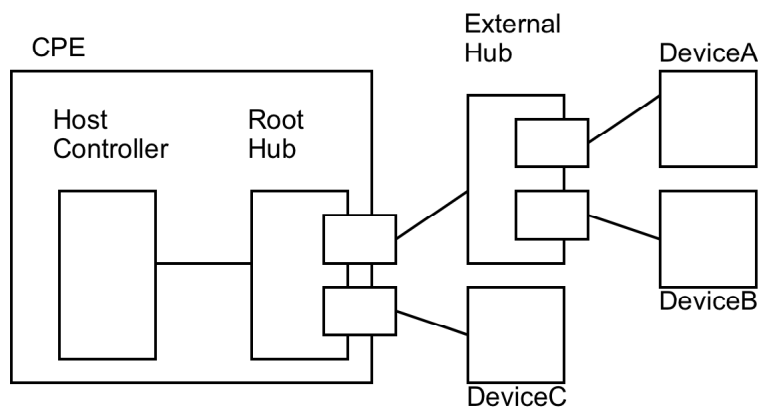


Figure 1 - Example USB Host Connections

All USB devices attach to a USB Host through a port on a USB entity known as a hub. Hubs have status bits that are used to report the attachment or removal of a USB device on one of its ports. The USB Host queries the hub to retrieve these status bits. In the case of an attachment, the USB Host enables the port and addresses the USB device through the device's control pipe at the default address. Figure 1 depicts both a Root Hub and an External Hub that provide this service.

The USB Host assigns a unique USB address to the device and then determines if the newly attached USB device is a hub or function. The USB Host establishes its end of the control pipe for the USB using the assigned USB address and endpoint number zero. This is reflected in the data model by adding a new `USBHosts.Host.{i}.Device.{i}` instance.

If the attached USB device is a hub and USB devices are attached to its ports, then the above procedure is followed for each of the attached USB devices.

If the attached USB device is a function, then attachment notifications will be handled by the USB Host software that is appropriate for the function.

Appendix II. Software Module Management

This section discusses the Theory of Operation for Software Module Management using TR-069 [1] and the Software Module object defined in the Root data model.

II.1 Overview

As the home networking market matures, CPE in the home are becoming more sophisticated and more complex. One trend in enhanced device functionality is the move towards more standardized platforms and execution environments (such as Java, Linux, OSGi, etc.). Devices implementing these more robust platforms are often capable of downloading new applications dynamically, perhaps even from third-party software providers. These new applications might enhance the existing capabilities of the device or enable the offering of new services to the subscriber.

This model differs from previous CPE software architectures that assumed one monolithic firmware that was downloaded and applied to the device in one action.

That sophistication is a double-edged sword for service providers. On one hand, these devices are able to offer new services to subscribers and therefore increase the revenue per subscriber, help operators differentiate, and reduce churn with “sticky” applications that maintain subscriber interest. On the other hand, the increased complexity creates more opportunities for problems, especially as the users of these home-networking services cease to be early adopters and move into the mainstream. It is important that the increased revenue opportunity is not offset with growing activation and support costs.

In order to address the need of providing more compelling dynamic applications on the CPE while ensuring a smooth “plug and play” user experience, it is necessary for service providers to make use of CMWP to remotely manage the life cycle of these applications, including install, activation, configuration, upgrade, and removal. Doing so ensures a positive user experience, improves service time-to-market, and reduces operational costs related with provisioning, support, and maintenance.

II.2 Lifecycle Management

There are a number of actions that service providers might want to take in managing the lifecycle of these dynamic applications. They might want to install new applications for the subscriber. They might want to update existing applications when new versions or patches are available.

They might want to start and/or stop these applications as well. Finally, they might want to uninstall applications that are no longer needed (or perhaps paid for) by the subscriber.

The specifics of how applications run in different environments vary from platform to platform. In order to avoid lifecycle management tailored to each specific operating environment, CWMP-based software management defines abstract state models and abstract software module concepts as described in the following sections. These concepts are not tied to any particular platform and enable CWMP to manage dynamic software on a wide range of devices in a wide range of environments.

II.3 Software Modules

A **Software Module** is any software entity that will be installed on a CPE. This includes modules that can be installed/uninstalled and those that can be started and stopped. All software on the device is considered a software module, with the exception of the primary firmware, which plays a different enough role that it's considered a separate entity.

A software module exists on an **Execution Environment (EE)**, which is a software platform that supports the dynamic loading and unloading of modules. It might also enable the dynamic sharing of resources among entities, but this differs across various execution environments. Typical examples include Linux, OSGi, .NET, Android, and Java ME. It is also likely that these environments could be "layered," i.e., that there could be one primary environment such as Linux on which one or more OSGi frameworks are stacked. This is an implementation specific decision, however, and CWMP-based module management does not attempt to enable management of this layering beyond exposing which EE a given environment is layered on top of (if any). CWMP-based Software Module Management also does not attempt to address the management of the primary firmware image, which is expected to be managed via the Download mechanism previously defined in TR-069.

Software modules come in two types: **Deployment Units (DUs)** and **Execution Units (EUs)**. A DU is an entity that can be deployed on the EE. It can consist of resources such as functional EUs, configuration files, or other resources. Fundamentally it is an entity that can be Installed, Updated, or Uninstalled. Each DU can contain zero or more EUs but the EUs contained within that DU cannot span across EEs. An EU is an entity deployed by a DU, such as services, scripts, software components, or libraries. The EU initiates processes to perform tasks or provide services. Fundamentally it is an entity that can be Started or Stopped. EUs also expose configuration for the services implemented, either via standard TR-069 related data model objects and parameters or via EU specific objects and parameters.

It is possible that Software Modules can have dependencies on each other. For example a DU could contain an EU that another DU depends on for functioning. If all the resources on which a DU depends are present and available on an EE, it is said to be Resolved. Otherwise the EUs associated with that DU might not be able to function as designed. It is outside the scope of Software Module Management to expose these dependencies outside of indicating whether a particular DU is RESOLVED or not.

II.3.1 Deployment Units

Below is the state machine diagram³ for the lifecycle of DUs.

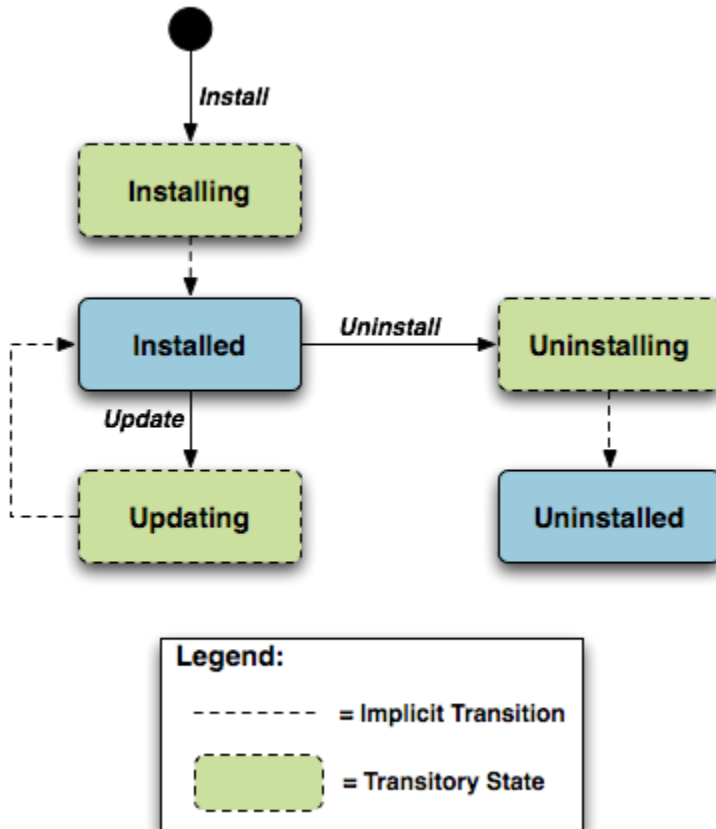


Figure 2 – Deployment Unit State Diagram

This state machine shows 5 individual states (3 of which are transitory) and 3 explicitly triggered state transitions.

The explicit transitions among the non-transitory states are triggered by a CMWP method call, ChangeDUState, defined in Section A.4.1.10 / TR-069 [1]. The explicit transitions are as follows:

1. Install, which initiates the process of Installing a DU. The device might need to transfer a file from the location indicated by a URL in the method call. Once the resources are available on the device, the CPE begins the installation process:
 - In the Installing state, the DU is in the process of being Installed and will transition to that state unless prevented by a fault. Note that the ACS has the option to choose which EE to install a particular DU to, although it can also leave that choice up to the CPE. If the ACS does specify the EE, it is up to the ACS to specify one that is

³ This state machine diagram refers to the successful transitions caused by the ChangeDUState RPC and doesn't model the error cases.

compatible with the DU it is attempting to Install (e.g., an OSGi framework for an OSGi bundle).

- In the Installed state, the DU has been successfully downloaded and installed on the relevant EE. At this point it might or might not be Resolved. If it is Resolved, the associated EUs can be started; otherwise an attempt to start the associated EUs will result in a failure. How dependencies are resolved is implementation and EE dependent.
2. Update, which initiates a process to update a previously existing DU. As with Install, the device might need to transfer a file from the location indicated by a URL in the method call. If no URL is provided in the request, the CPE uses the last URL stored in the DeploymentUnit table (including any related authentication credentials) used from either Install or a previous Update. There are four combinations of URL and UUID being supplied in the request; for details, see Section A.4.1.10 in TR-069 [1]. Once the resources are available on the device, the CPE begins the updating process:
 - In the Updating state, the DU is in the process of being Updated and will transition to the Installed state. As with initial installation, the DU might or might not have dependencies Resolved at this time.
 - During the Updating state, the associated EUs that had been in the Active state transition to Idle during the duration of the Update. They are automatically restarted once the Update process is complete.

Note that an Update is performed on the underlying resource(s) across all EEs with which the DU is associated. Each affected DU instance, however, has its own result entry in the DUStateChangeComplete method.

3. Uninstall, which initiates the process of uninstalling the DU and removing the resources from the device. It is possible that a DU to be Uninstalled could have been providing shared dependencies to another DU; it is possible therefore that the state of other DUs and/or EUs could be affected by the DU being Uninstalled.
 - In the Uninstalling state, the DU is in the process of being Uninstalled and will transition to that state unless prevented by a fault.
 - In the Uninstalled state, the DU is no longer available as a resource on the device. Garbage clean up of the actual resources are EE and implementation dependent. In many cases, the resource(s) will be removed automatically at the time of un-installation. The removal of any associated EUs is part of DU clean up.

The ChangeDUState method can contain any combination of requested operations over independent multiple DUs. Because the CPE is allowed to apply the operations in any order of its choosing (even though it needs to report the results in the order received in the request) the ACS cannot depend on operations being deployed in a specific order to a given DU; this means that if an ACS wants to perform ordered operations on a specific DU, it needs to do so in multiple method calls. CPE are required to accept at least 16 operations in a method call; there is no theoretical upper bound on the number of operations that can be triggered in a single ChangeDUState method, but it is limited by the resources and capabilities of the device itself. The ChangeDUState method is an asynchronous request, meaning that, except in cases where the

request fails, the CPE notifies the ACS in a subsequent CWMP session about the success or failure of the state transitions requested using a `DUStateChangeComplete` ACS method (see below for more information on fault scenarios).

These state transitions might also be triggered via means other than CWMP (e.g. user-triggered or CPE-triggered). Since the ACS might still be interested in knowing about these autonomous state changes there is also an ACS method, called `AutonomousDUStateChangeComplete`, for this purpose. The ACS can filter the notifications it receives via this mechanism using the parameters defined in the `ManagementServer.DUStateChangeCompIPolicy` object.

The inventory of available DUs along with their current state can be found in the `SoftwareModules` component found in the Root data model, i.e., the `SoftwareModules.DeploymentUnit.{i}` object. This object contains a list of all the DUs currently on the device, along with pertinent information such as DU identifiers, current state, whether the DU is Resolved, information about the DU itself such as vendor and version, the list of associated EUs, and the EEs on which the particular DU is installed.

DUs have a number of identifiers, each contributed by a different actor in the ecosystem:

- A Universally Unique Identifier (UUID) either assigned by the management server (ACS) or generated by the CPE at the time of Installation. This identifier gives the management server a means to uniquely identify a particular DU across the population of devices on which it is installed. A DU will, therefore, have the same UUID on different devices, but there can be no more than one DU with the same UUID and version installed to an EE on a particular device. See II.3.1.1 below for more information on UUID generation.
- A Deployment Unit Identifier (DUID) assigned by the EE on which it is deployed; this identifier is specific to the particular EE, and different EEs might have different logic for the assigning of this value.
- A Name assigned by the author of the DU.

The creation of a particular DU instance in the data model occurs during the Installation process. It is at this time that the DUID is assigned by the EE. Upon Uninstall, the data model instance will be removed from the DU table once the resource itself has been removed from the device. Since garbage clean up is EE and implementation dependent, it is therefore possible that a particular DU might never appear in the data model in the Uninstalled state but rather disappear at the time of the state transition. It is also possible that an event, such as a Reboot, could be necessary before the associated resources are removed.

II.3.1.1 UUID Generation

An important aspect of the UUID is that it might be generated by either the ACS and provided to the CPE as part of the Install operation, or generated by the CPE either if the ACS does not provide a UUID in the Install operation or if the DU is Installed outside CWMP-based management, such as at the factory or via a LAN-side mechanism (e.g. UPnP DM). Because the UUID is meant to uniquely identify a DU across a population of devices, it is important that the UUID be the same whether generated by the ACS or the CPE. In order to ensure this, the UUID is generated (whether by ACS or CPE) according to the rules defined by RFC 4122 [7] Version 3 (Name-Based) and Annex H / TR-069 [1]. The following are some possible scenarios:

1. The DU is Installed via CWMP with an ACS generated UUID and is subsequently Updated/Uninstalled via CWMP. All post-Install management actions require the UUID to address the DU, which is retained across version changes.
2. The DU is factory Installed with a CPE generated UUID and is subsequently Updated/Uninstalled via CWMP. In this case the ACS can either choose to generate this UUID if it has access to the information necessary to create it or to learn the UUID by interrogating the data model.
3. The DU is Installed via CWMP with an ACS generated UUID and is subsequently Updated/Uninstalled via a LAN-side mechanism. In this scenario it is possible that the LAN-side mechanism is unaware of the UUID and uses its own protocol-specific mechanism to identify and address the DU. The UUID, however, is still retained across version changes. If AutonomousDUStateChangeComplete notifications are enabled for the device, the CPE also sends that method (containing the UUID) to the ACS once the LAN-side triggered state change has completed.
4. The DU is Installed via CWMP but the ACS provides no UUID in the Install operation. In this case the CPE generates the UUID, which must be used by the ACS in any future CWMP-based Updates or Uninstalls. Depending on its implementation, the ACS might choose to generate the UUID at the time of the future operations, learn the value of the UUID from the DUStateChangeComplete RPC, or learn it by interrogating the data model.
5. The DU is Installed via a LAN-side mechanism and is subsequently Updated/Uninstalled via CWMP. Since it is likely that the LAN-side mechanism does not provide a Version 3 Name-Based UUID in its protocol-specific Install operation, it is expected that the CPE generates the UUID in this case when it creates the DU instance in the data model. Depending on its implementation, the ACS might choose to generate the UUID for later operations if it has access to the information necessary to create it, learn the UUID from the AutonomousDUStateChangeComplete RPC (if this notification mechanism is enabled), or learn it by interrogating the data model.

II.3.2 Execution Units

Below is the state machine diagram⁴ for the lifecycle of EUs.

⁴ This state machine diagram refers to the successful transitions caused by the RequestedState Parameters within the ExecutionUnit table and doesn't model the error cases.

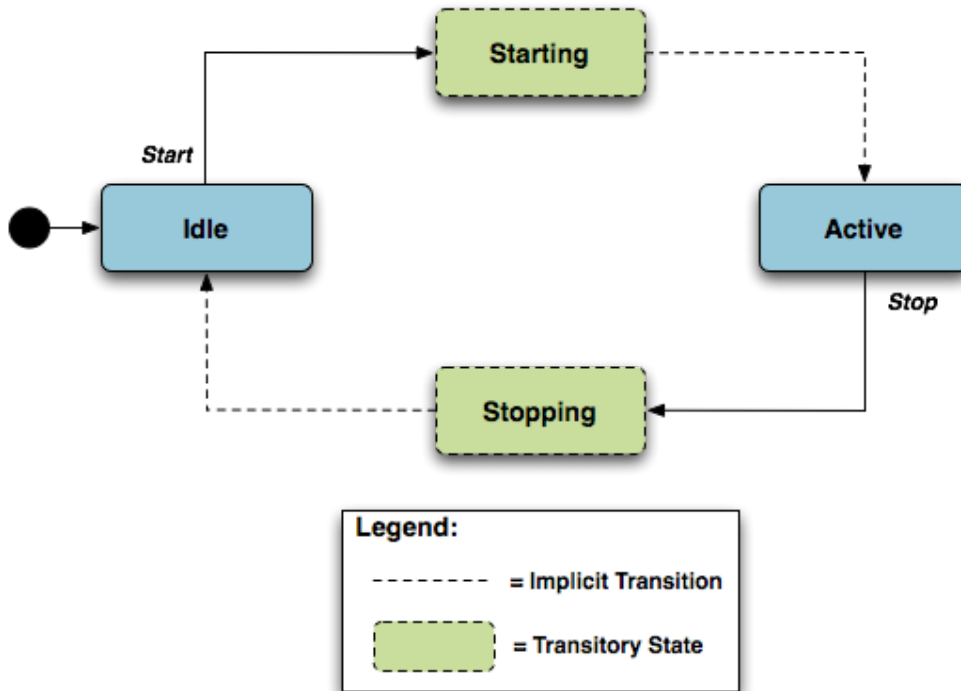


Figure 3 – Execution Unit State Diagram

This state machine shows 4 states (2 of them transitory) and two explicitly triggered state transitions.

The state transitions between the non-transitory states are triggered using the SetParameterValues method call as defined in Section A.3.2.1 / TR-069 [1] and the SoftwareModules.ExecutionUnit.{i}.RequestedState parameter as defined in the SoftwareModules object in the Root data model. The explicit transitions are as follows:

1. In order to Start an EU, the ACS sets the value of the RequestedState parameter to Active. The EU enters the Starting state, during which it takes any necessary steps to move to the Active state, and it will transition to that state unless prevented by a fault. Note that an EU can only be successfully started if the DU with which it is associated has all dependencies Resolved. If this is not the case, then the EU's status remains as Idle, and the ExecutionFaultCode and ExecutionFaultMessage parameters are updated appropriately.
2. In order to Stop an EU, the ACS sets the value of the RequestedState parameter to Idle. The EU enters the Stopping state, during which it takes any necessary steps to move to the Idle state, and then transitions to that state.

It is also possible that the EU could transition to the Active or Idle state without being explicitly instructed to do so by the ACS (e.g., if the EU is allowed to AutoStart, in combination with the run level mechanism, or if operation of the EU is disrupted because of a later dependency error).

The ACS manages being notified of these autonomous state changes via Active Notification on the SoftwareModules.ExecutionUnit.{i}.Status parameter. Note that this parameter is defined as having Active Notification enabled by default.

The inventory of available EUs along with their current state can be found in the SoftwareModules component found in the Root data model; i.e., the SoftwareModules.ExecutionUnit.{i} object. This object contains a list of all the EUs currently on the device along with accompanying status and any current errors as well as resource utilization related to the EU, including memory and disk space in use.

EUs have a number of identifiers, each contributed by a different actor in the ecosystem:

- An Execution Unit Identifier (EUID) assigned by the EE on which it is deployed; this identifier is specific to the particular EE, and different EEs might have different logic for assigning this value. There can be only one EU with a particular EUID.
- A Name provided by the developer and specific to the associated DU.
- A Label assigned by the EE; this is a locally defined name for the EU.

The creation of a particular EU instance in the data model occurs during the Installation process of the associated DU. It is at this time that the EUID is assigned by the EE as well. The configuration exposed by a particular EU is available from the time the EU is created in the data model, whether or not the EU is Active. Upon Uninstall of the associated DU, it is expected that the EU would transition to the Idle State, and the data model instance would be removed from the EU table once the associated resources had been removed from the device. Garbage clean up, however, is EE and implementation dependent.

Although the majority of EUs represent resources such as scripts that can be started or stopped, there are some inert resources, such as libraries, which are represented as EUs. In this case, these EUs behave with respect to the management interface as a “regular” EU. In other words, they respond successfully to Stop and Start commands, even though they have no operational meaning and update the SoftwareModules.ExecutionUnit.{i}.Status parameter accordingly. In most cases the Status would not be expected to transition to another state on its own, except in cases where its associated DU is Updated or Uninstalled or its associated EE is Enabled or Disabled, in which cases the library EU acts as any other EU.

The EUs created by the Installation of a particular DU might provide functionality to the CPE that requires configuration by the ACS. This configuration could be exposed via the CWMP data model in five ways:

1. Service data model (if, for example, the EU provides VoIP functionality, configuration would be exposed via the Voice Service data model defined in TR-104 [6]).
2. Standard objects and parameters in the device’s root data model (if, for example, the EU provides port mapping capability, the configuration would be exposed via the port mapping table defined in TR-098 [5] or TR-181 Issue 2 [4]).
3. Instances of standard objects in the Root or any Service data model, (if, for example, the EU provides support for an additional Codec in a VoIP service).
4. Vendor extension objects and parameters that enhance and extend the capabilities of standard objects (if, for example, the EU provides enhanced UserInterface capabilities)

5. Standalone vendor extension objects that are directly controlled objects of the EU (for example, a new vendor specific object providing configuration for a movies on demand service).

In the case of 1 or 3, the References parameter in the EU object provides a list of path names to the services and multi-instance objects that are the directly controlled objects of the EU and which came into existence because of this particular EU. In the case of 5, the Extensions sub-object within the EU object provides a place to place these vendor extensions to allow multiple EUs to expose parameters without concern of conflicting parameter names. In the case of 2 or 4, these can be discovered using the SupportedDataModelList parameter and its links to the Current Data Model table as discussed below or through interrogation of the data model using the GetParameterNames RPC.

The creation of these additional data model objects and parameters means that the Current Supported Data Model of the device is also updated. The EU object contains a parameter that is a path reference to an instance in the SupportedDataModel table in the root data model so that the ACS can retrieve the DT file associated with the EU in order to discover its manageable characteristics.

All data model services, objects, and parameters related to a particular EU come into existence at the time of Installation or Update of the related DU, The related data model disappears from the device's data model tree at the time of Uninstall and clean up of the related DU resources. It is possible that the device could encounter errors during the process of discovering and creating EUs; if this happens, it is not expected that the device would roll back any data model it has created up until this point but would rather set the ExecutionFaultCode of the EU to "Unstartable." In this case, it is not expected that any faults (with the exception of System Resources Exceeded) would have been generated in response to the Install or Update operation. See below for more information on EU faults.

The configuration of EUs could be backed up and restored using vendor configuration files. The EU object in the data model contains a parameter, which is a path reference to an instance in the vendor config file table in the Root data model. This path reference indicates the vendor config file associated with the configuration of the particular EU. Retrieval and downloading of vendor config files occurs via the Upload and Download methods defined in TR-069 [1], just as with any config files.

It is also possible that applications could have dedicated log files. The EU object also contains a parameter, which is a path reference to an instance in the log file table in the root data model. This path reference indicates the log file associated with a particular EU. Retrieval of log files is accomplished using the Upload method as defined in TR-069 [1].

II.3.3 Example Sequence Diagrams

The following diagrams provide an example sequence for the deployment of a new Software Module, including the installation of the DU and the configuration and starting of an EU.

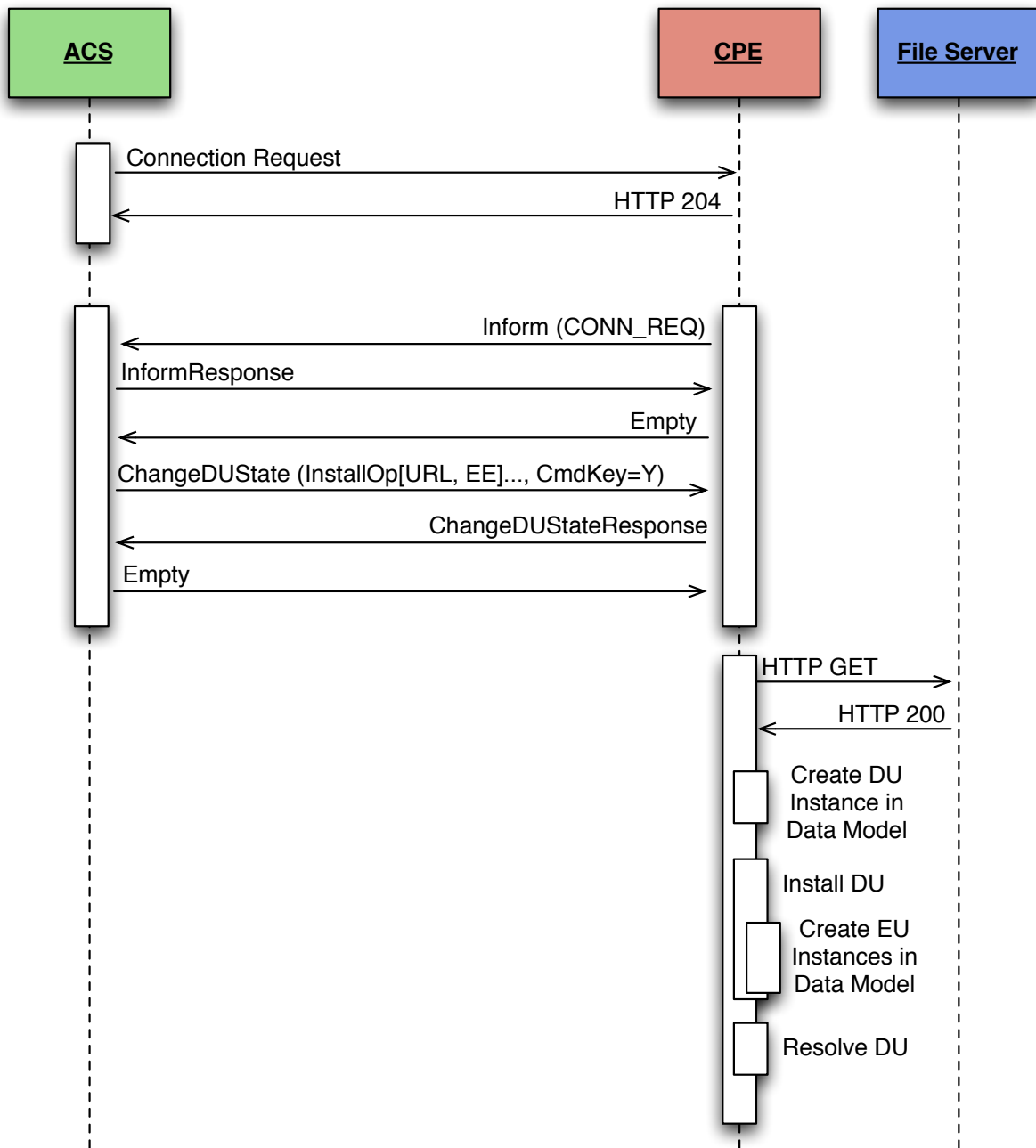


Figure 4 – Installation of a Deployment Unit - CWMP Session #1

In this first CWMP Session we see the ACS requesting an Installation of a specific Deployment Unit by providing a URL in the ChangeDUState RPC. The CPE will retrieve the file, create the Deployment Unit instance, install the Deployment Unit, create any Execution Unit instances, and finally attempt to resolve any Deployment Unit dependencies.

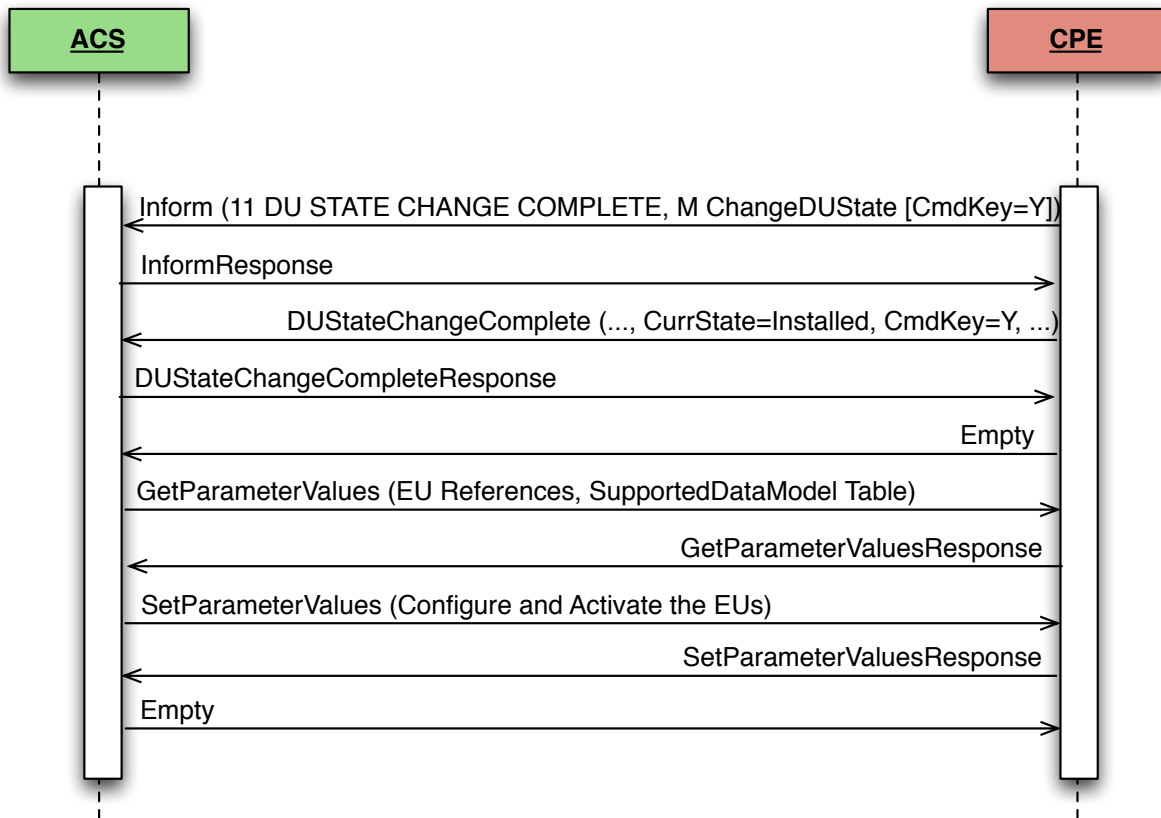


Figure 5 – Configuring and Starting the Execution Units - CWMP Session #2

In this second CWMP Session we see the CPE informing the ACS that the Deployment Unit has been successfully installed. At this point the ACS queries the Execution Unit instances that were reported back in the `DUStateChangeComplete` RPC so the ACS can determine what needs to be configured before activating the Execution Units. The ACS then configures the Execution Unit instances and activates them, using the `RequestedState` parameter with a value of “Active”, within the same `SetParameterValues` RPC.

II.4 Execution Environment Concepts

As discussed above, an EE is a software platform that supports the dynamic loading and unloading of modules. A given device can have multiple EEs of various types and these EEs can be layered on top of each other. The following diagram gives a possible implementation of multiple EEs.

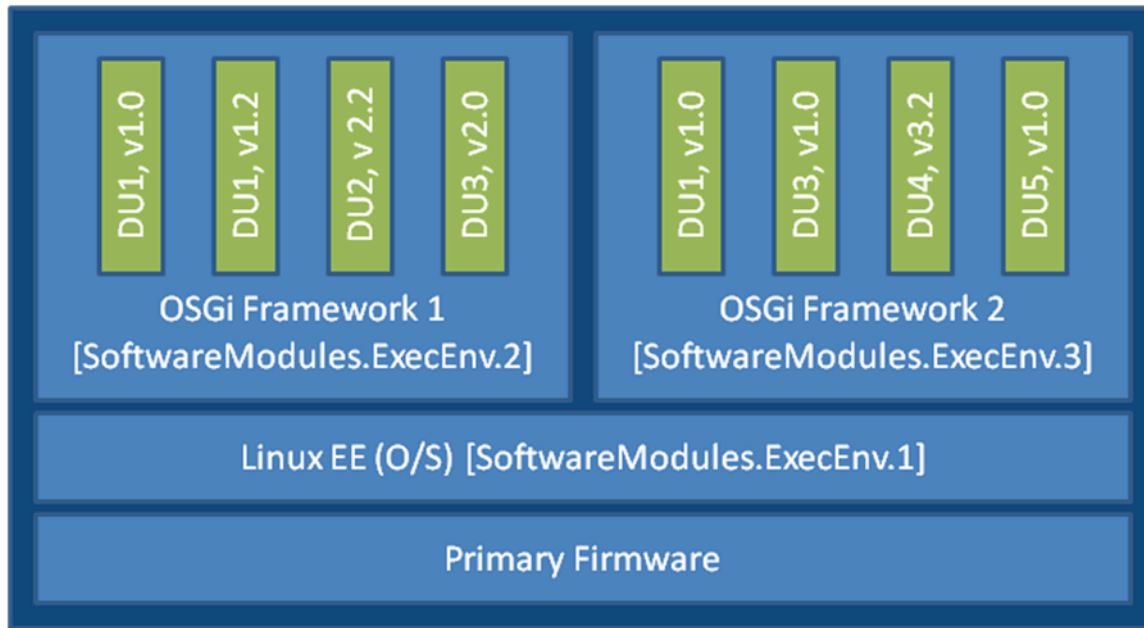


Figure 6 – Possible Multi-Execution Environment Implementation

In this example, the device exposes its Linux Operating System as an EE and has two different OSGi frameworks layered on top of it, all of which are modeled as separate ExecEnv object instances. In order to indicate the layering to the ACS, the two OSGi framework objects (.ExecEnv.2 and .ExecEnv.3) would populate the Exec.Env.{i}.Parent parameter with a path reference to the Linux object (.ExecEnv.1). The Linux EE object would populate that parameter with an empty string to indicate that it is not layered on top of any managed EE.

Multiple versions of a DU can be installed within a single EE instance, but there can only be one instance of a given version at a time. In the above diagram, there are two versions of DU1, v1.0 and v1.2 installed on .ExecEnv.2. If an attempt is made to update DU1 to version 1.2, or to install another DU with version 1.0 or 1.2, on ExecEnv.2, the operation will fail.

A DU can also be installed to multiple EEs. In the above example, DU1 is installed both to ExecEnv.2 and ExecEnv.3. The Installation is accomplished by having two different Install Actions in the ChangeDUState method call; note that it is possible for an Install to be successful on one EE and not the other or for the DU to be Resolved on one EE and not the other in this case.

When DUs are Updated, the DU instances on all EEs are affected. For example, in the above diagram, if DU1 v1.0 is updated to version 2.0, the instances on both .ExecEnv.2 and .ExecEnv.3 will update to version 2.0.

For Uninstall, an ACS can either indicate the specific EE from which the DU should be removed, or not indicate a specific EE, in which case the DU is removed from all EEs.

An EE can be enabled and disabled by the ACS. Reboot of an EE is accomplished by first disabling and then later enabling the EE. When an EE instance is disabled by the ACS, the EE itself shuts down. Additionally, any EUs associated with the EE automatically transition to Stopped and the ExecutionFaultCode parameter value is “Unstartable.” The state of the associated DUs remains the same. If a ChangeDUState method is attempted on any of the DUs associated with a disabled EE, the operation fails and an error is returned in the fault struct of the DUStateChangeComplete RPC. If an attempt is made to Start an EU associated with a Disabled EE, the device returns a CWMP fault that contains a SetParameterValues fault element for RequestedState. It should be noted if the Operating System of the device is exposed as an EE, disabling it could result in the device being put into a non-operational and non-manageable state. It should also be noted that disabling the EE on which the CWMP Management agent resides can result in the device becoming unmanageable via TR-069.

Note that the above is merely an example; whether a device supports multiple frameworks of the same type and whether it exposes its Operating System as an Execution Environment for the purposes of management is implementation specific.

II.5 Fault Model

Faults can occur at a number of steps in the software module process. The following sections discuss Deployment Unit faults and Execution Unit faults.

II.5.1 DU Faults

There are two basic types of DU faults: Operation failures and CWMP faults. CWMP faults come as a response to the ChangeDUState RPC itself; because of the atomic nature of CWMP methods, the entire method fails and none of the Operations included in the RPC are attempted. Operation failures are those faults that are reported in the FaultStruct of the DUStateChangeComplete method. Because the results RPC enables reporting of faults on each Operation, it is possible for one Operation to fail and another to execute successfully.

II.5.1.1 Install Faults

Most Install faults will be recognized before resources or instances are created on the device. When there is an Operation failure at Install, there are no resources installed on the device and no DU (or EU) instances are created in the data model. Similarly, if there are any Operation failures, besides System Resources Exceeded, there are no resources installed on the device and no DU (or EU) instances created in the data model.

The CWMP Faults defined for Install (Method Not Supported, Request Denied, and Internal Error) are general errors supported by most RPCs. One special CWMP fault to note is the Resources Exceeded error, which is used when there are too many Operations specified in the request. This error is not used to indicate that the DU has insufficient resources to support the DU file itself; this is rather indicated by the System Resources Exceeded fault discussed below. The Resources Exceeded error is not a valid error if 16 or fewer Operations are requested.

There are a number of Operation failures defined for Installation. The first category is those faults associated with the file server or attempt to transfer the DU resource and are the same as those defined for the existing Download method. These include:

- Userinfo element being specified in the URL
- The URL being unavailable (either because the host cannot be reached or because the resource is unavailable)
- Authentication failures due to incorrectly supplied credentials
- The URL transport method specified not being supported by the CPE or server
- The file transfer being interrupted (because of a device reboot or loss of connectivity, for example)

The second category of faults relate to issues with the DU and the Execution Environment. These are specific to Software Module Management and include:

- The EE reference specified by the ACS in the request not existing in the data model. Note that the ACS can simply omit the EE reference in the request and allow the CPE to choose the destination.
- The EE being disabled. This fault can occur when the request explicitly specifies a disabled EE. If there is no EE specified in the request, this fault could occur because the only possible destination EE for the DU (the only OSGi framework instance in the case of an OSGi bundle, for example) is disabled. The CPE is expected to make every attempt not to use a disabled EE in this scenario, however.
- Any mismatch existing between the DU and the EE (attempting to install a Linux package on an OSGi framework instance, for example). This fault can occur when the request explicitly specifies a mismatching EE. If there is no EE specified in the request, this fault could occur when there is no EE at all on the device that can support the DU.
- A DU of the same version already existing on the EE.

Finally there are a number of faults related to the DU resource itself. These include:

- The UUID in the request not matching the format specified in RFC 4122 [7] version 3 (Name-based).
- A corrupted DU resource, or the DU not being installable for other reasons, such as not being signed by any trusted entity
- The installation of the DU requiring more system resources, such as disk space, memory, etc., than the device has available. Note that this error is not to be used to indicate that more operations have been requested than the device can support, which is indicated by the Resourced Exceeded CWMP fault (described above).

II.5.1.2 Update Faults

When there is a fault on an Update operation of any kind, either CWMP or Operation failure, the DU remains at the version it was before the attempted DU state change, and it also remains in the Installed state (i.e., it is not Uninstalled). If for any reason the ACS wishes to remove a DU after an unsuccessful Update, it must do so manually using an Uninstall operation in the ChangeDUState method. When there is a CWMP fault at Update, there are no new resources installed on the device and no DU (or EU) instances are changed in the data model. Similarly, if there are any Operation failures, besides System Resources Exceeded, there are no new resources

installed on the device and no DU (or EU) instances are changed in the data model. The state of any associated EUs or any dependent EUs in the event of an Update failure is EE and implementation dependent.

As with Install, the CWMP Faults defined for Update (Method Not Supported, Request Denied, and Internal Error) are general errors supported by most RPCs. One special CWMP fault to note is the Resources Exceeded error, which is used when there are too many Operations specified in the request. This error is not used to indicate that the DU has insufficient resources to support the DU file itself; this is rather indicated by the System Resources Exceeded fault discussed below. The Resources Exceeded error is not a valid error if 16 or fewer Operations are requested.

There are a number of Operation failures defined for Update. The first category is those faults associated with the file server or attempt to transfer the DU resource and are the same as those defined for the existing Download method. These include:

- Userinfo element being specified in the URL
- The URL being unavailable (either because the host cannot be reached or because the resource is unavailable)
- Authentication failures due to incorrectly supplied credentials
- The URL transport method specified not being supported by the CPE or server
- The file transfer being interrupted (because of a device reboot or loss of connectivity, for example)

The second category of faults relate to issues with the DU and the Execution Environment. These are specific to Software Module Management and include:

- The EE on which the targeted DU resides being disabled. This fault can occur when the request explicitly specifies the UUID of a DU on a disabled EE or when the request explicitly specifies a URL last used by a DU on a disabled EE. If neither the URL nor UUID was specified in the request, this fault can occur when at least one DU resides on a disabled EE.
- Any mismatch existing between the DU and the EE. This fault occurs when the content of the updated DU does not match the EE on which it resides (for example, an attempt is made to Update a Linux package with a DU that is an OSGi bundle).
- Updating the DU would cause it to have the same version as a DU already installed on the EE.
- The version of the DU not being specified in the request when there are multiple versions installed on the EE.

Note that Updates are atomic across all the EEs with which a DU resource is associated; i.e., an Update is either successful across all EEs or unsuccessful across all EEs. For example, if an attempt is made to Update a DU which is installed to 2 EEs, one enabled and one disabled, the Update operation will fail for both. In this case, there would be 2 entries in the DUStateChangeComplete Results array both showing an operation failure with the same FaultCode and FaultString. In other words, the CPE would indicate that the failure occurred because of a disabled EE, even for the DU instance residing on the enabled one.

Finally there are a number of faults related to the DU resource itself. These include:

- The UUID in the request not matching the format specified in RFC 4122 [7] Version 3 (Name- Based).
- A corrupted DU resource, or the DU not being installable for other reasons, such as not being signed by any trusted entity
- The DU cannot be found in the data model. This fault can occur when the request explicitly specifies the UUID (or combination of UUID and version) of a DU that is unknown. It can also occur when the request does not specify a UUID but explicitly specifies a URL that has never been used to previously Install or Update a DU.
- Attempting to downgrade the DU version.
- Attempting to Update a DU not in the Installed state.
- Updating the DU requiring more system resources, such as disk space, memory, etc., than the device has available. Note that this error is not to be used to indicate that more operations have been requested than the device can support, which is indicated by the Resourced Exceeded CWMP fault (described above).

II.5.1.3 Uninstall Faults

When there is an Uninstall fault of any kind, either CWMP or Operation failure, the DU does not transition to the Uninstalled state and no resources are removed from the device. No changes are made to the EU-related portions of the data model (including the EU objects themselves and the related objects and parameters that came into existence because of this DU).

As with Install and Update, the CWMP Faults defined for Uninstall (Method Not Supported, Request Denied, and Internal Error) are general errors supported by most RPCs. One special CWMP fault to note is the Resources Exceeded error, which is used when there are too many Operations specified in the request.

There are three Operation failures defined for Uninstall. They are as follows:

- The EE on which the targeted DU resides is disabled. Note that if the Uninstall operation targets DUs across multiple EEs, this fault will occur if at least one of the EEs on which the DU resides is disabled.
- The DU cannot be found in the data model. If the EE is specified in the request, this error occurs when there is no UUID (or UUID and version) matching the one requested for the specified EE. If there is no EE specified in the request, this error occurs when there is no UUID matching the one in the requested on any EE in the data model, or, if the version is also specified in the request, then this error occurs when there is no DU with this combination of UUID and version on any EE in the data model.
- The UUID in the request not matching the format specified in RFC 4122 [7] Version 3 (Name- Based).
- The DU caused an EE to come into existence on which at least 1 DU is Installed.

II.5.2 EU Faults

EU state transitions are triggered by the SetParameterValues RPC. One type of EU fault is a CWMP fault sent in response to SetParameterValues. The CWMP faults defined are therefore

simply a subset of the errors defined for the generic SetParameterValues: Request Denied, Internal Error, Invalid Arguments, Invalid Parameter Name, Invalid Parameter Type, and Invalid Parameter Value.

Note that there is one case specific to Software Module Management: if the ACS tries to Start an EU on a disabled EE, the device returns a CWMP fault to that request. In this case the CPE indicates the reason behind this fault by using 9007 in the SetParameterValuesFault structure.

Because of the atomic nature of CWMP methods, if any parameter is in error in a SetParameterValues request, the entire method fails and none of the requested changes are made.

There are also Software Module Management specific faults indicated in the ExecutionFaultCode and ExecutionFaultMessage parameters in the data model. In addition to providing software module specific fault information, this parameter is especially important in a number of scenarios:

1. Asynchronous errors in the EU state transition. For example, it is possible that the CPE needs to do actions such as dependency checking that require more time than available in the context of a CWMP session. In this case it is possible that the device responds successfully to the SetParameterValues request, but later indicates that the EU is in error, with the Error Code Dependency Failure. There is also no expectation that the CPE would retry any EU state transitions triggered by a SetParameterValues request; i.e., if a device responds successfully to the CWMP request to Start an EU, but later finds the EU in error, the CPE would not attempt to retry Starting the EU.
2. Errors that occur at a later date than the original CWMP request, such as a Dependency Failure that occurs several days after successful Start of an EU because a DU providing dependencies is later Uninstalled.
3. State transition errors that are triggered by the Autostart/Run level mechanism.
4. “Autonomous” state transitions triggered outside the purview of CWMP, such as by a LAN-side protocol.

The faults in the ExecutionFaultCode parameter are defined as follows:

- FailureOnStart – the EU failed to start despite being requested to do so by the ACS.
- FailureOnAutoStart – the EU failed to start when enabled to do so automatically.
- FailureOnStop – the EU failed to stop despite being requested to do so by the ACS.
- FailureWhileActive – an EU that had previously successfully been started either via an explicit transition or automatically later fails.
- DependencyFailure – this is a more specific fault scenario in which the EU is unable to start or stops at a later date because of unresolved dependencies
- Unstartable – some error with the EU resource, its configuration, or the state of the associated DU or EE, such as the EE being disabled, prevents it from being started.

When the EU is not currently in fault, this parameter returns the value NoFault. The ExecutionFaultMessage parameter provides additional, implementation specific information about the fault in question.

The ExecutionFaultCode and ExecutionFaultMessage parameters are triggered parameters. In other words, it is not expected that an ACS could read this parameter before issuing a SetParameterValues request and see that there was a Dependency Failure that it would attempt to resolve first.

Notifications are used if the ACS wants to be notified of ongoing changes to the EU's error state.

End of Broadband Forum Technical Report TR-157 Amendment 3